



Clever products
for garden and home

E A S Y F I X
A L L Y E A R
C O L D F R A M E

Assembly instructions

All year (cold) frame

Art. No. 20347

Size: ~ 126 x 58 x height ~ 40/30 cm

~ 4,13 x 1,90 x height ~ 1,31/0,98 ft



Part list:

A	B	C	D-1	D-2	E	F	G	H	I
1 x	1 x	2 x	1 x	1 x	2 x	2 x	2 x	2 x	2 x
21511	21510	21507	21518	29855	12000	12001	12002	10321	22194

J	K	L	M	N	O ¹	O ²	P	Q	R
1 x	1 x	2 x	2 x	1 x	1 x	1 x	2 x	1 x	1 x
22195	22196	23643	23644	25934	26889	24819	36683	25021	25020

S	T	U	V	W	X ¹	Y	Z	α	β	δ
1 x	1 x	8 x	2 x	2 x	4 x	1 x	2 x	4 x	1 x	1 x
25022	25023	25033	25033	25786	12104	12782	26808	25940	12545	25936

Tool required!

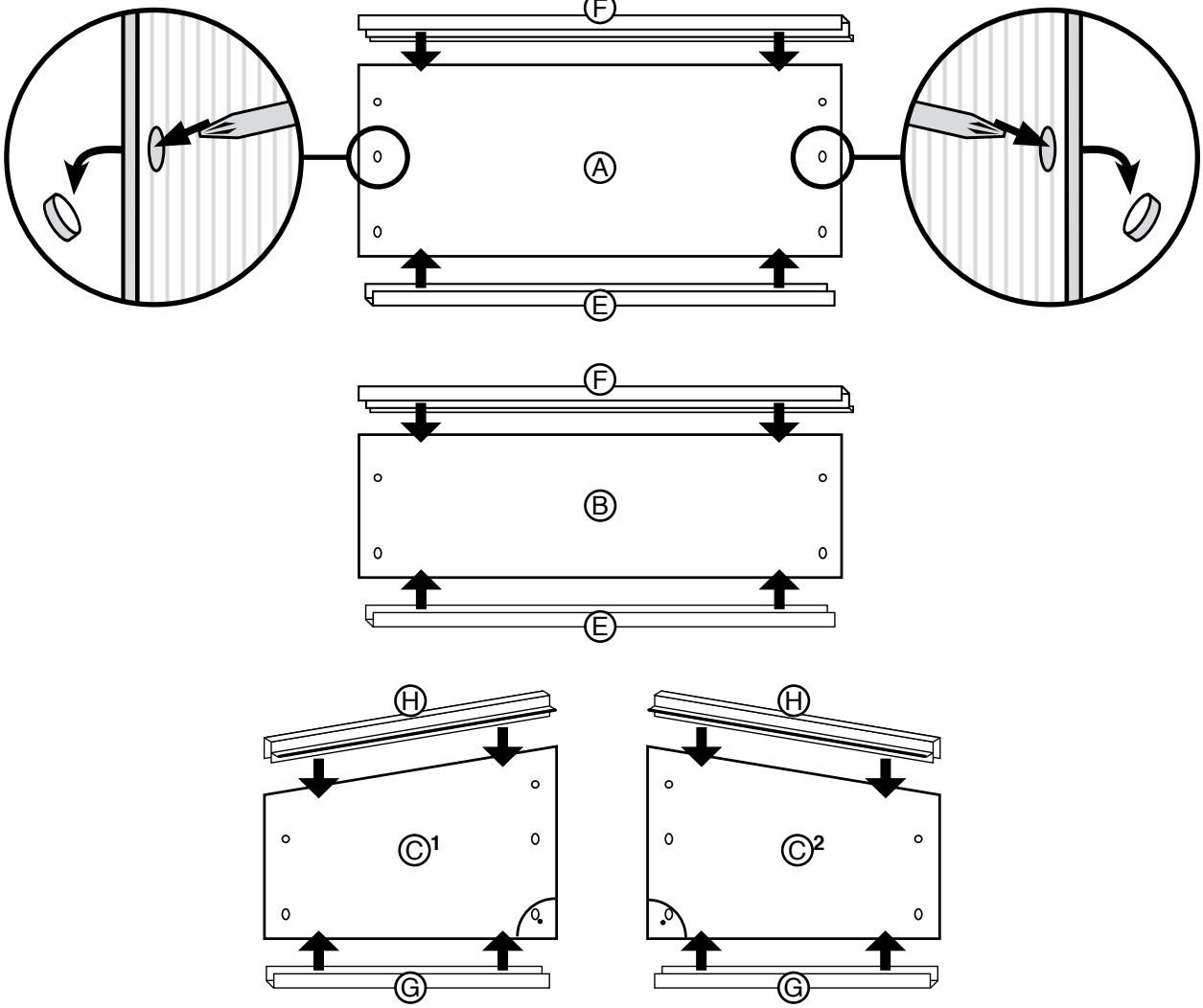


Before erecting, please read the instructions and then keep them for further reference.

This PE-packaging is not a toy! Risk of suffocation! Please dispose the packaging into the sorting station for plastic immediately after unpacking. (PE is non-polluting and non-toxic.)

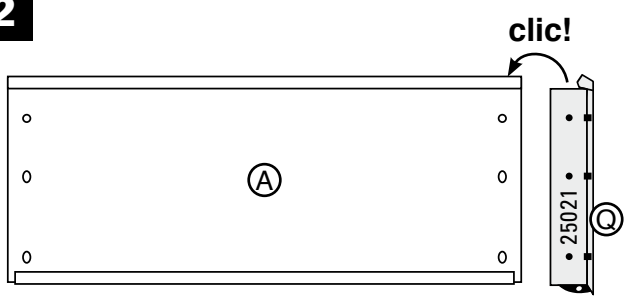
Care instructions: This JUWEL quality product was produced with weatherproof materials and may be washed down with a garden hose. Do not clean with sharp or rough objects or with aggressive detergents.

1



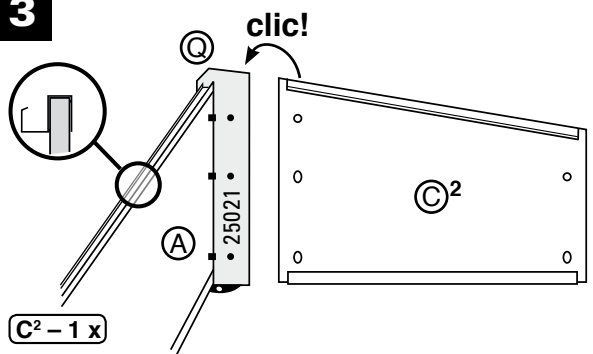
A - 1 x B - 1 x C¹ - 1 x C² - 1 x E - 2 x F - 2 x G - 2 x H - 2 x

2



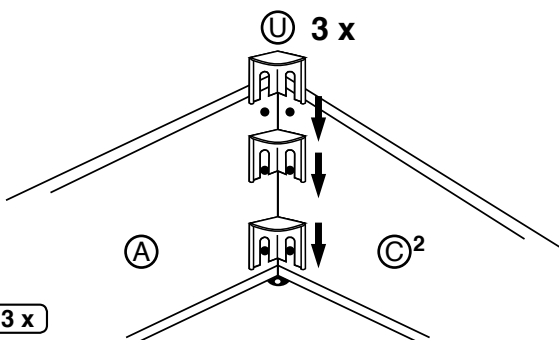
A - 1 x Q - 1 x

3



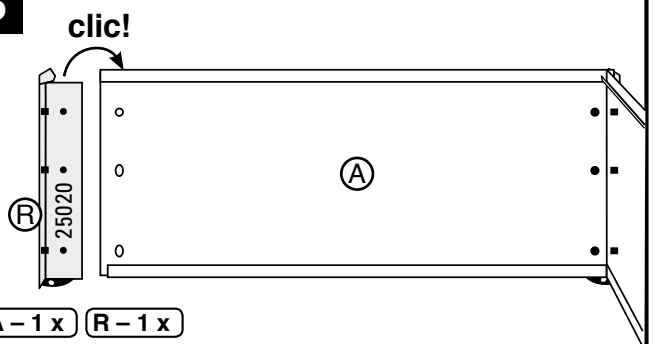
C² - 1 x

4

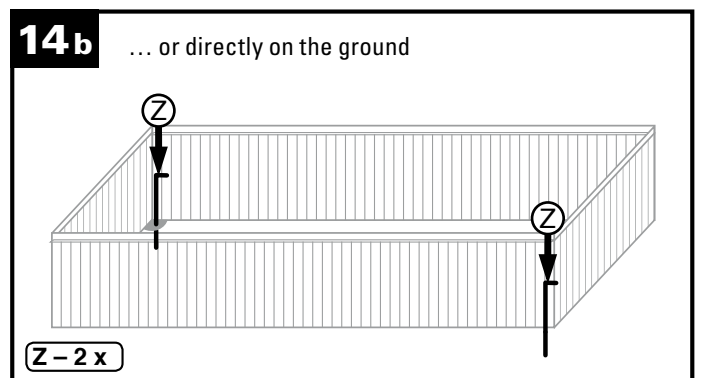
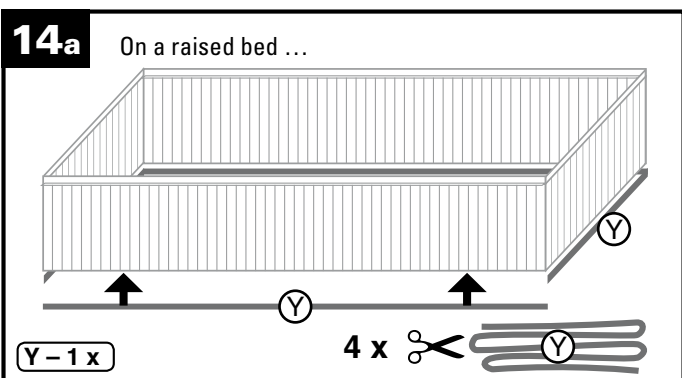
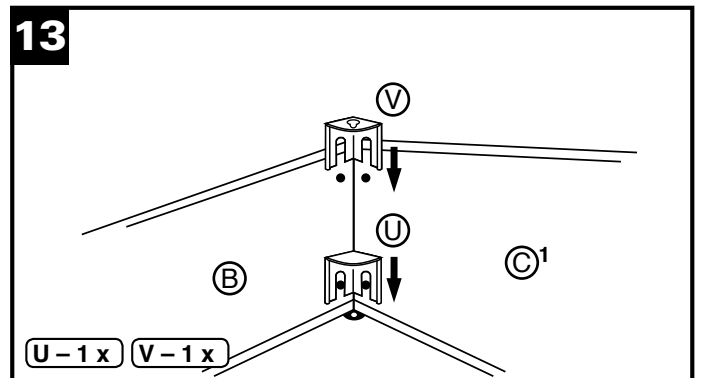
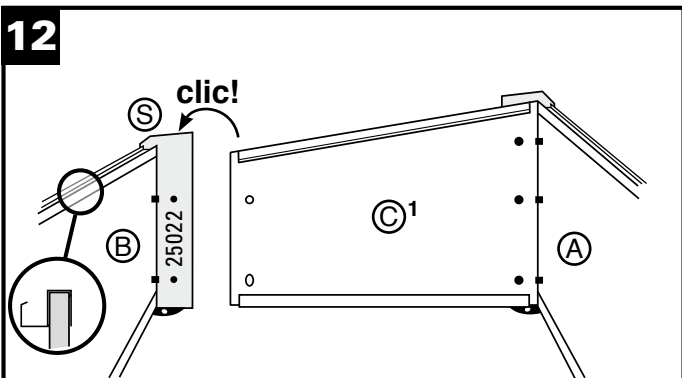
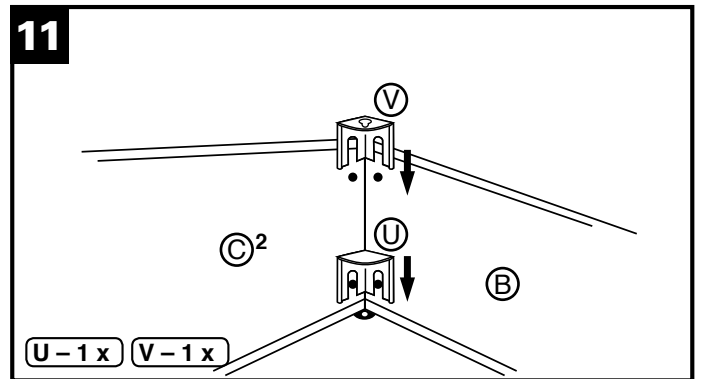
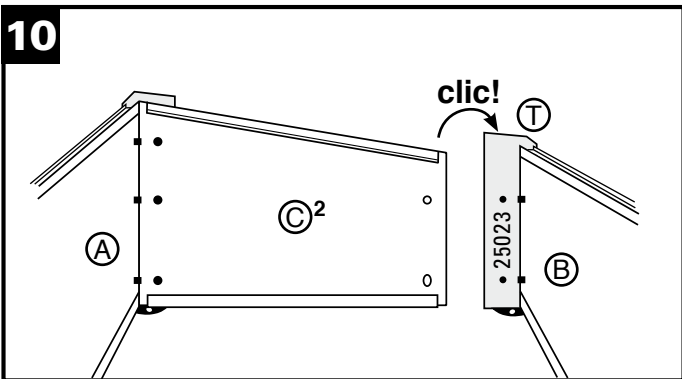
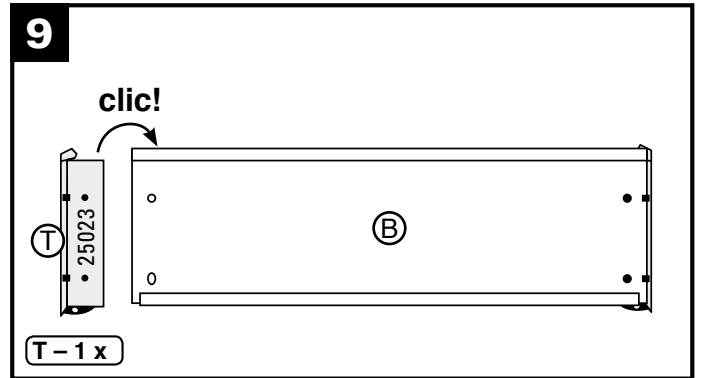
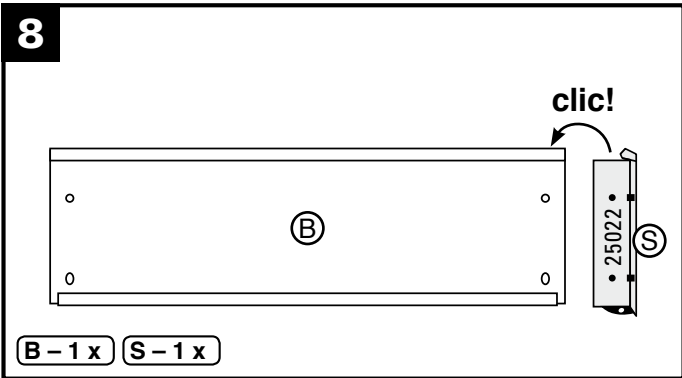
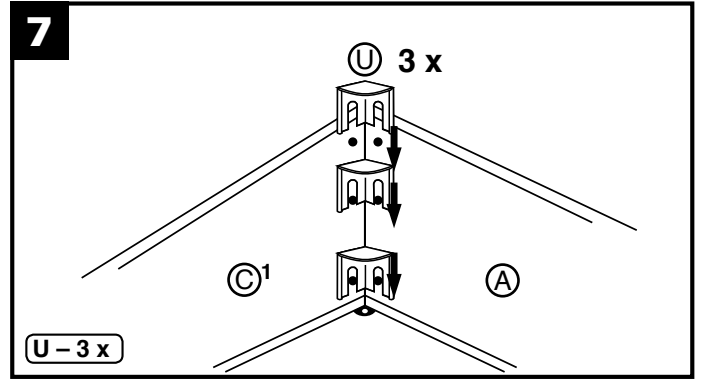
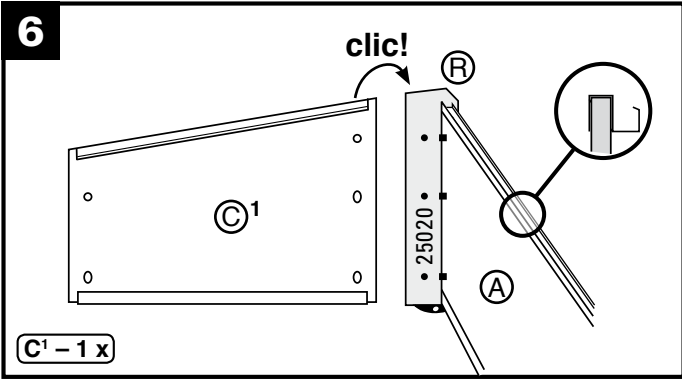


U - 3 x

5



A - 1 x R - 1 x



Assembling the window

1) First, please insert the plastic corner **N¹** (on the left) with the protruding guide lugs up into section **K**. **Note: all 4 corners are different. Please position in accordance with the illustrations.** For this procedure, place the section onto the edge of a worktop, as shown in sketch 1, so that the aluminium ridge on the section points downwards. In preparation for assembly later, all sections should be laid out flat on the table. **The grooves on the sections should be positioned at the inside of the window** – they will be used for clamping the net later. Now push a side section **I** onto the mounted plastic corner - please make sure it is at right angles with the edge of the worktop. The groove on the section must be on the inside again.

2) Push the next plastic corner **N²** into the other side of section **K**. Then push the second side section **I** on – groove on the inside again – the frame is now U-shaped.

3) Push the **N³** and **N⁴** plastic corners into section **J** on both sides and then insert into the two **I** sections at the same time, thereby closing the frame. Please make sure that the grooves on all sections are on the inside and on the same side. The **O¹** net is fixed in place in this circumferential groove then.

4) Lay the assembled frame flat onto the work surface so that the aluminium ridge on section **K** points downwards and the circumferential groove upwards.

5) Place the enclosed spacing template **O²** between the sections at approximately the centre of the frame. When the net is being mounted later, the aluminium sections must not be pressed to less than the minimum spacing of 540 mm (= spacing template dimension) – it will otherwise be difficult to push the window in later.

6) Now place net **O¹** onto the frame and use one of clamping sections to fix it in place on the longitudinal side, i.e. press downwards diagonally. This is easiest if the sections and the frame are at room temperature. Secondly, fix the narrow side in place (make sure it is at right angles)

but do not clamp the net tightly – adhere to the spacing template. Sufficient tension is generated when the sections are pressed in. Then, fix the opposite narrow side in place and finally the missing longitudinal side also.

7) Once the net is fixed in position and free of creases on all sides, make sure that the sections fit evenly into the grooves everywhere – anything jutting out will make it difficult to push in the window.

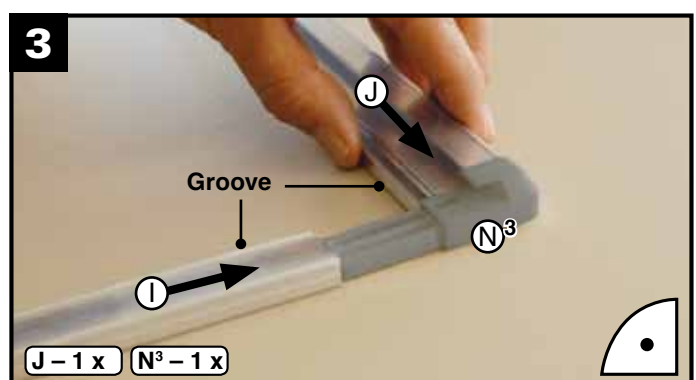
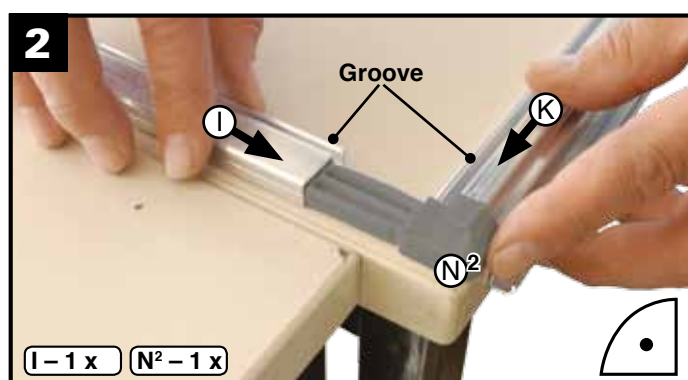
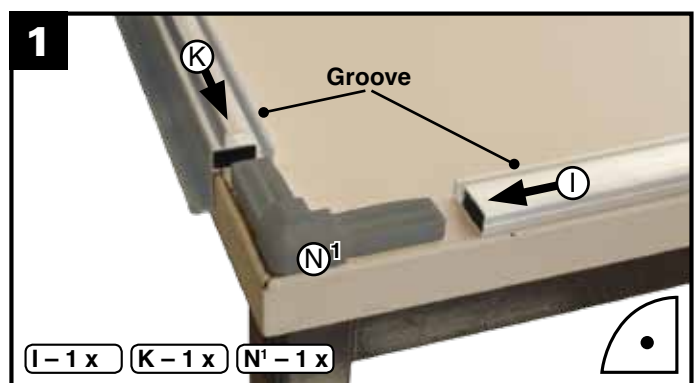
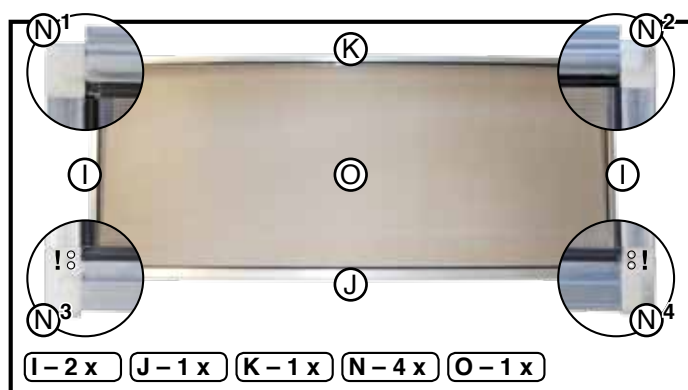
8) Now use a sharp knife along the outer edges of the sections to cut off the protrusions.

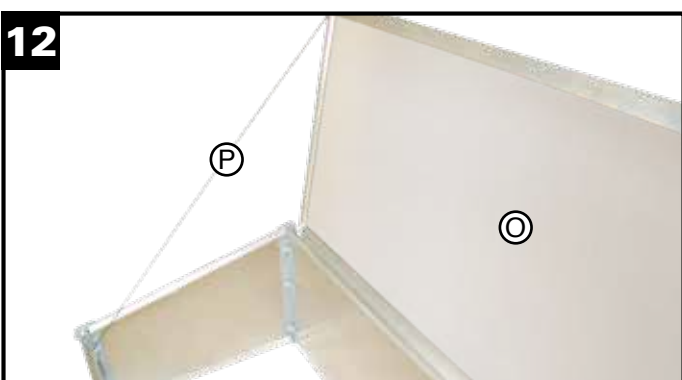
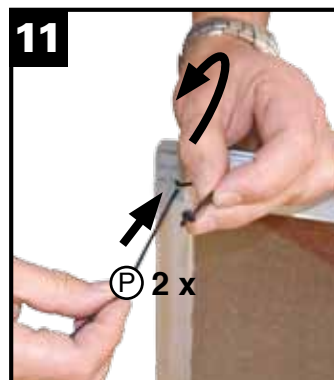
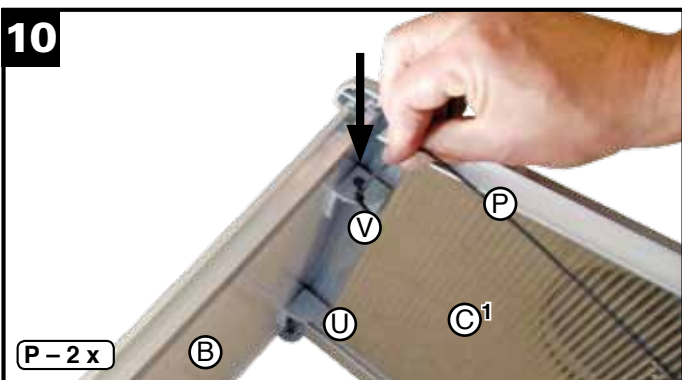
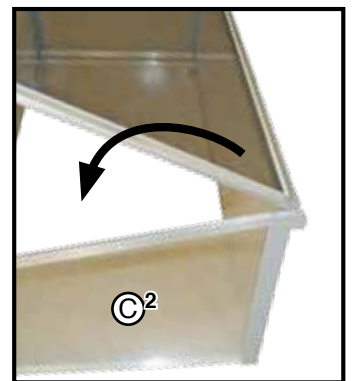
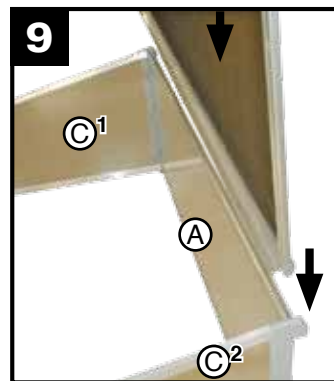
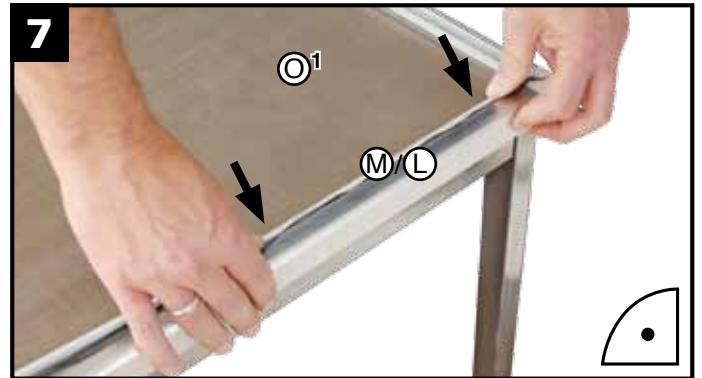
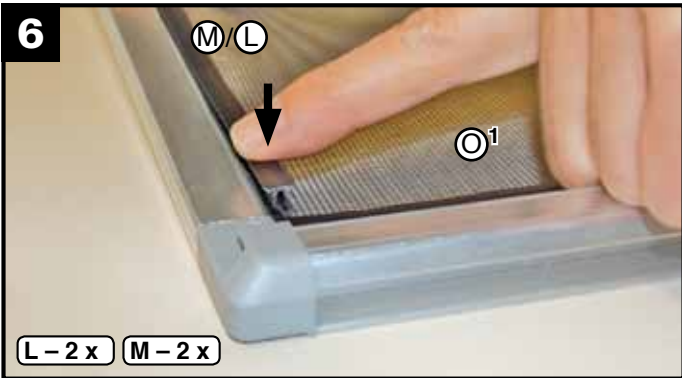
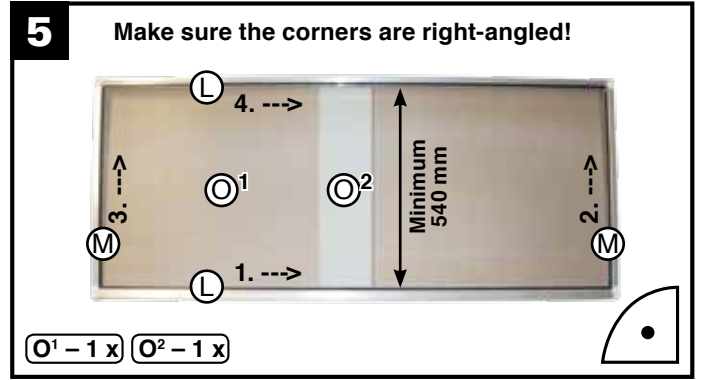
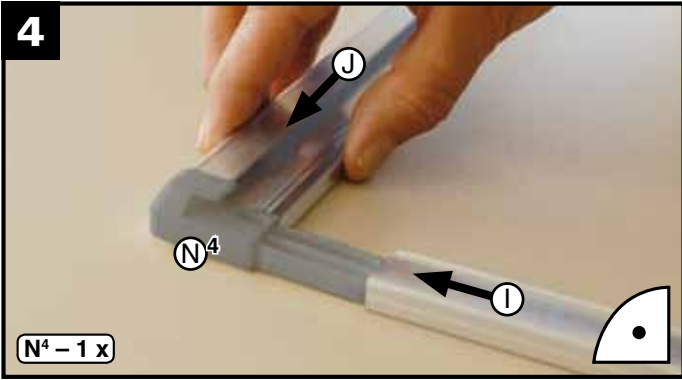
9) The window with the hinged section can be suspended vertically into the cold frame now.

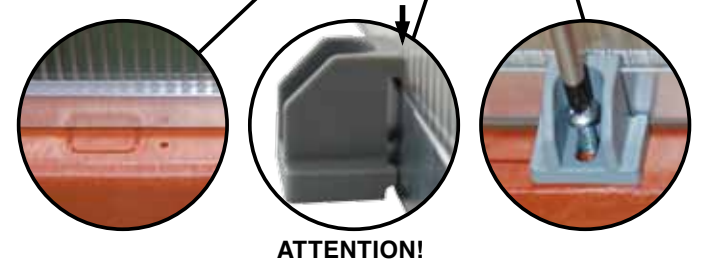
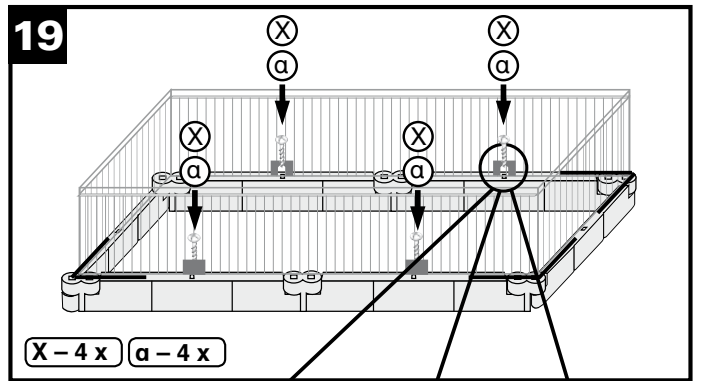
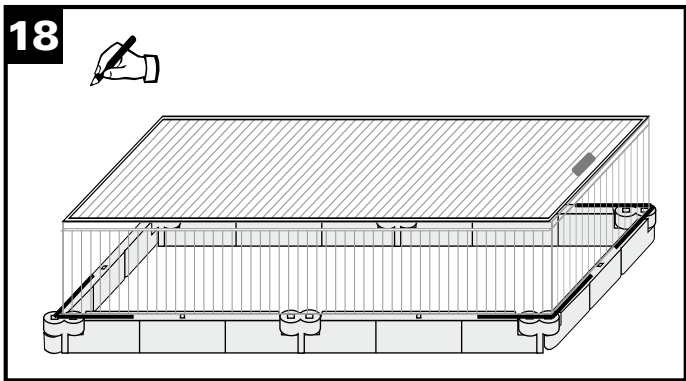
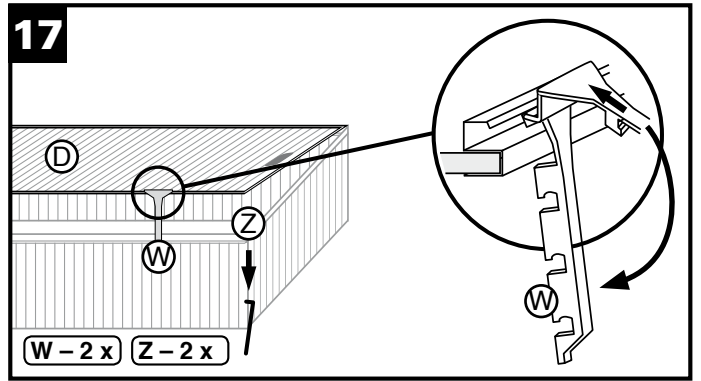
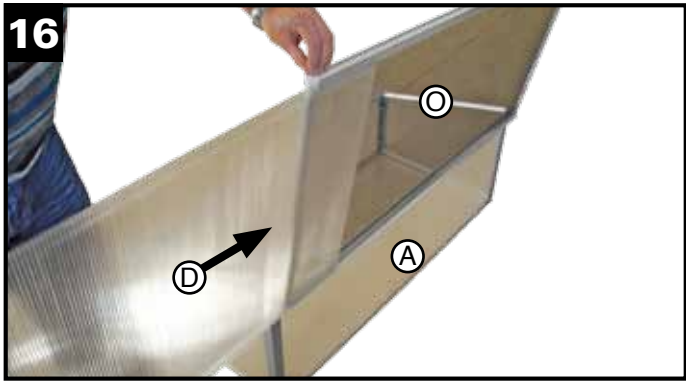
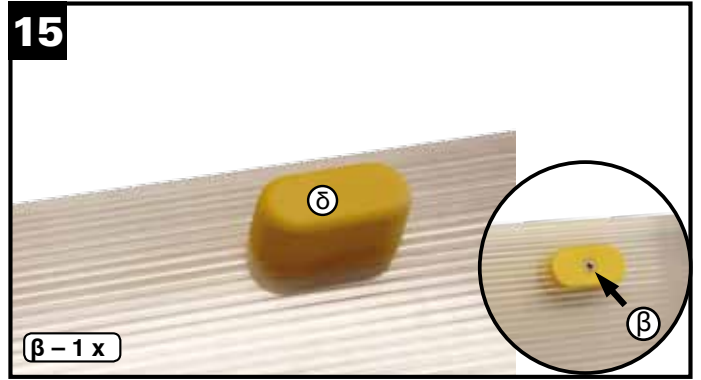
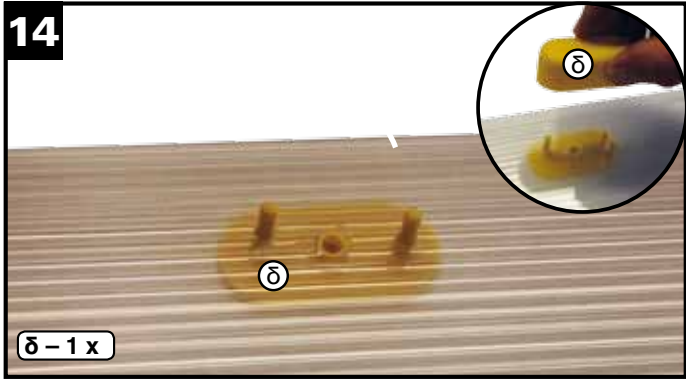
10) The two **P** lines for securing the window should be run into both the boreholes on the front window frame and also in the two **V** clamping bars and tied with knots so that they are equal in length. This will keep the window in an open position. If there is a hefty gust of wind, the two **V** clamping bars will detach and release the window to prevent the entire cold frame being blown away by the wind.

Caution: if there is a risk of wind, close and lock the window because accidents can be caused by the window or cold frame blowing away.

18) If used on a raised bed (not included), stick the rubber sealing included in the delivery onto the underside of the aluminium sections on the cold frame. Then secure the cold frame with **X** and **α**.







USA Distributor:
Exaco Trading · Customerservice@Exaco.com
1-877-760-8500 ext 701
10203 Metropolitan Dr · Austin, TX 78758
